

Clarke®



300KG DUMPER TRUCK

MODEL NO: CDT300

PART NO: 3400875

OPERATION & MAINTENANCE INSTRUCTIONS

UK
CA | CE

ORIGINAL INSTRUCTIONS

DL0123 - ISS 4

INTRODUCTION

Thank you for choosing this Clarke Dumper Truck. Before attempting to use this product, please read this manual thoroughly and follow the instructions carefully. In doing so you will ensure the safety of yourself and that of others around you, and you can look forward to your purchase giving you long and satisfactory service.

Please keep these instructions in a safe place for future reference.

GUARANTEE

This product is guaranteed against faulty manufacture for a period of 12 months from the date of purchase. Please keep your receipt which will be required as proof of purchase.

This guarantee is invalid if the product is found to have been abused or tampered with in any way, or not used for the purpose for which it was intended.

Faulty goods should be returned to their place of purchase, no product can be returned to us without prior permission. This guarantee does not effect your statutory rights.

ENVIRONMENTAL RECYCLING POLICY

If disposing of this product or any damaged components, do not dispose of with general waste. This product contains valuable raw materials. Metal products should be taken to your local civic amenity site for recycling of metal products.

TECHNICAL SPECIFICATIONS

Engine type	4-stroke OHV single cylinder petrol engine with forced air cooling
Capacity	196 cc
Power output	6.44 Hp (4.8 kw) @ 3600 rpm
Engine rpm (max)	3600
Oil capacity	0.6 L
Oil type	SAE 15W-40
Fuel type	Regular unleaded
Fuel Capacity	3.6 L
Fuel consumption	395 g/kWh
Spark Plug	F7TC or equivalent
Ignition system	Transistorised magneto
Starter type	Cord/hand recoil
Clutch	Dry, cable operated
Emissions	CO - 380.35 g/kWh HC - 5.31 g/kWh NOx - 2.24 g/kWh CO2 - 811.46 g/kWh
Vibration (at handle)	3.92 m/s ²
Uncertainty Factor (K)	1.5 m/s ²
Sound pressure (L _{pA})	75 dB
Sound power (L _{WA})	95 dB
Guaranteed Sound power (L _{WA})	98 dB
Uncertainty Factor (K)	2.51 dB
Dimensions overall (L x W x H)	1380 x 760 x 985 mm
Weight	147 kg
Max Load capacity	300 kg /125 L
Speed in forward gears (km/h)	1 - 2.6 2 - 4.9 3 - 6.4
Max gradient (loaded)	<20°
Recommended tyre size/pressure	4.00-8" (30 psi)

SAFETY WARNINGS

GENERAL

1. **ALWAYS read and ensure you fully understand the following precautions and the hazards associated with this machine.** Do not allow anyone who has not read these instructions to operate it.
2. **ALWAYS check for damage before use.** Any damage should be properly repaired. If in doubt, do not use the machine and consult your local dealer.
3. **Never carry out any modifications to this machine.** If experiencing difficulty of any kind consult your local Clarke dealer.

WORK AREA

1. **Keep the work area tidy and well lit.** Cluttered and dark areas invite accidents.
2. **Keep children and bystanders away.** Distractions can cause you to lose control.
3. **ALWAYS** be alert and adopt a firm stance when handling the machine.
4. **NEVER** operate an engine driven unit in an explosive atmosphere, near combustible materials, or where there is insufficient ventilation.
5. **NEVER** start the engine in confined spaces. Exhaust fumes are dangerous, containing carbon monoxide which is an odourless and dangerous gas. Only operate in outdoor, well ventilated areas.

PERSONAL SAFETY

1. **Stay alert, watch what you are doing and use common sense when operating a machine.** Do not use while you are tired or under the influence of drugs, alcohol or medication. A moment of inattention while operating powered equipment may result in personal injury.
2. **Dress properly.** Do not wear loose clothing or jewellery. Keep your hair, clothing and gloves away from moving parts. Loose clothes, jewellery or long hair can be caught in moving parts.
3. **ALWAYS** use BOTH hands to control the machine.
4. **ALWAYS** wear ear defenders/protection, safety shoes and safety glasses manufactured to the latest European standards.
5. **NEVER** allow anyone without the necessary physical strength to operate this machine as its handling may require a degree of physical exertion.

MACHINE USE AND CARE

1. **Store out of the reach of children and do not allow persons unfamiliar with the machine or these instructions to operate it.** Machines are dangerous in the hands of untrained users.
2. **Maintain equipment.** Check for misalignment or binding of moving parts, breakage of parts and any other condition that may affect the machine's operation. If damaged, have the machine repaired before use. Many accidents are caused by poorly maintained machines.
3. **Use the machine in accordance with these instructions and in the manner intended, taking into account the working conditions and the work to be performed.** Use of the machine for operations different from intended use could result in a hazardous situation.
4. **Always observe the safety precautions for the handling of fuel.**
5. **NEVER** make any adjustment or perform a service operation with the engine running.
6. **Position the machine in such a way that it cannot move during re-fuelling or maintenance.**
7. **Always keep your hands away from any moving parts.**
8. **Always slow the engine down as far as possible when not actually working and shut off as soon as possible.**
9. **Avoid contact with hot surfaces including the engine and muffler.** They will remain hot for a short time after switching off the engine. Allow the engine to cool before making any adjustments or carrying out any maintenance.

REFUELLING











1. **Always refuel in a well ventilated area.** Do not smoke or allow sparks, open flames or other sources of ignition near the unit while adding fuel.
2. **Always stop the engine and allow it to cool down before re-fuelling.** Never remove the cap of the fuel tank or add fuel while the engine is running or hot. Do not use the machine if any fuel leaks are detected.
3. **Always refuel away from any source of heat.**
4. **Loosen the fuel tank cap slowly to relieve any pressure in the tank.**
5. **Only fill to the level specified and avoid over-filling.**
6. **Use only the correct fuel as stated in the specification.** Replace the fuel cap securely and wipe up any spilled fuel. Never run the engine without the fuel cap in place.
7. Store spare fuel in containers designed and certified for this purpose.

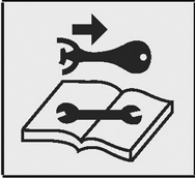


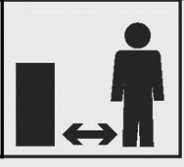

SERVICE & REPAIRS

1. Check the machine for damage before use. DO NOT use if the machine is damaged. Any damage should be properly repaired or the part replaced. If in doubt, DO NOT use the dumper truck. Consult your local dealer.
2. When necessary, have this machine serviced or repaired by a qualified person using identical replacement parts. This will ensure that the safety of the machine is maintained.

SAFETY SYMBOLS

The following symbols appear on the machine

	General hazard		Read these instructions before use
	Wear safety footwear.		Wear safety gloves
	Wear ear defenders		Never tamper with or remove protective guards or other safety devices.
	No open flame, no open ignition source, smoking prohibited.		Thrown objects
	Hazard of breathing in toxic fumes given off by the machine		Hazard of crushed feet.

	<p>Always turn off the engine before starting maintenance.</p>		<p>Never start or run the engine in a closed area.</p>
	<p>Keep away from hot parts of the machine</p>		<p>Keep bystanders away</p>
	<p>Do not operate on slopes of greater than 20 degrees or at an inclined position.</p>		

CONTENTS

Remove the components from the packaging and inspect for signs of damage which may have occurred during transit. Should any damage be apparent, please inform your Clarke dealer immediately.

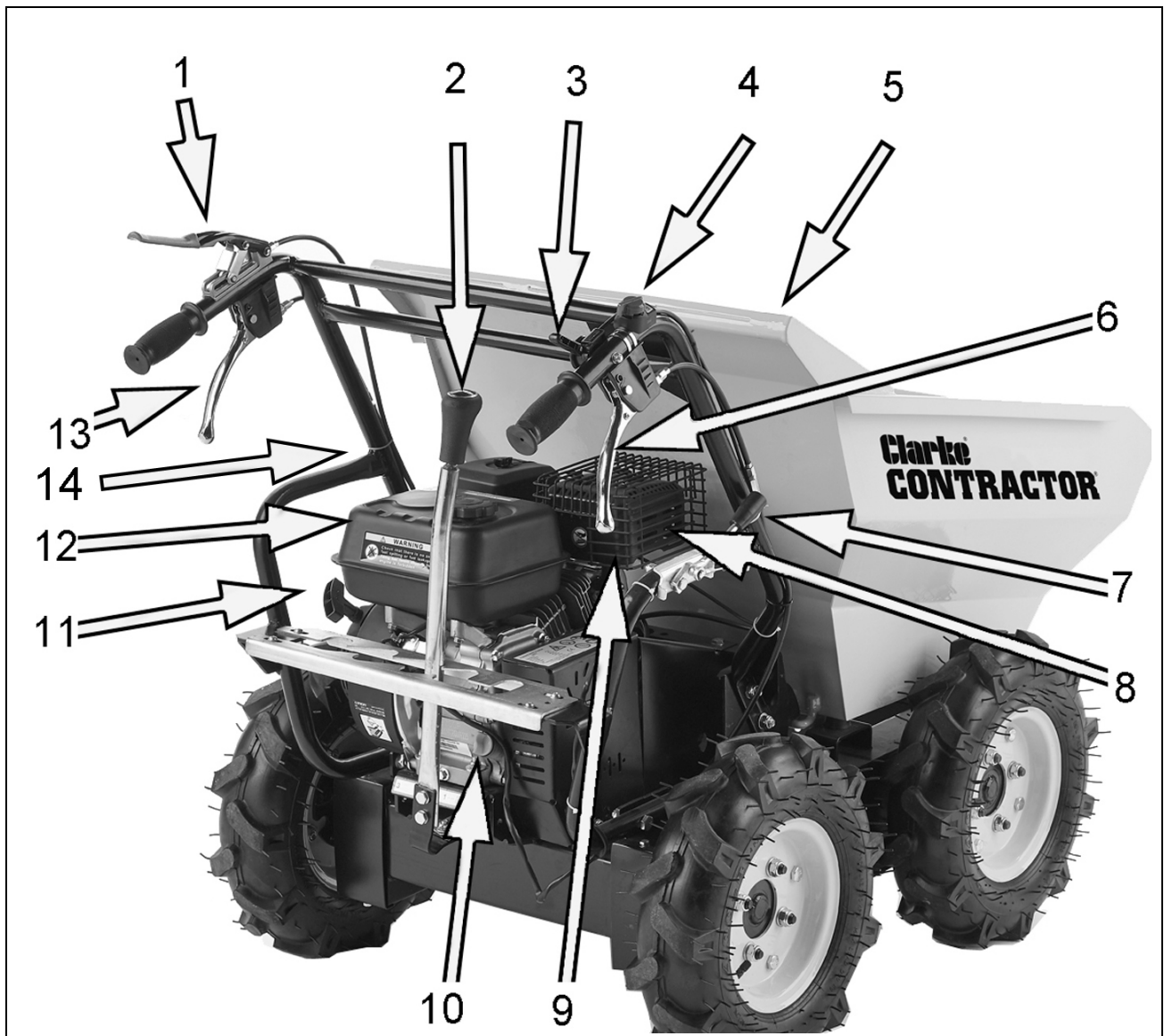
The following items are supplied loose.

- Machine assembly with cables & handles attached.
- Load box
- 4 x Wheels

Fixings pack containing:

- 2 x R-Clips
- 16 x M12 nuts/washers
- 4 x M10 x 45 bolts/nuts /washers
- 4 x M10 x 25 bolts/nuts/washers

OVERVIEW



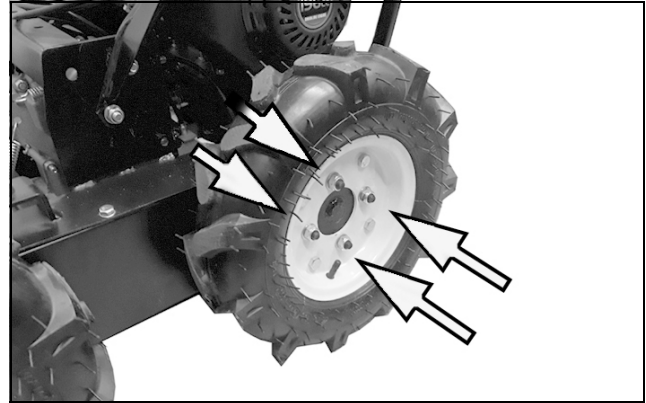
1	Clutch lever (dead-man's handle)
2	Gear selection lever
3	Throttle control
4	Engine switch
5	Load box
6	Right steering lever
7	Tipping handle

8	Air Filter
9	Choke control
10	Oil filler/dipstick
11	Recoil starter
12	Fuel tank
13	Left steering lever
14	Handle Assembly

ASSEMBLY

FITTING THE WHEELS

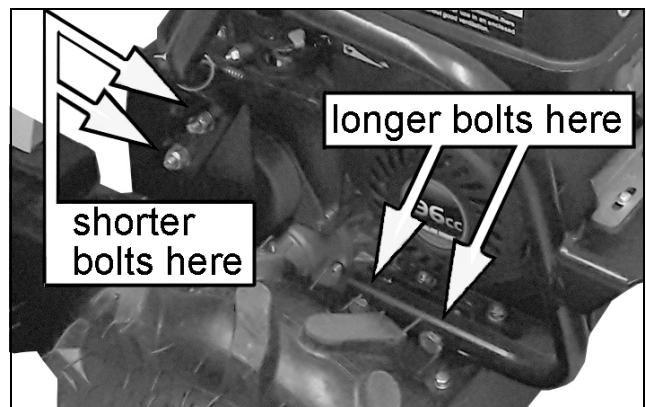
1. Fit the wheels and secure each wheel with 4 x nuts and washers.



CONNECTING THE HANDLE

Mount the handle and frame assembly to the chassis and secure it with M10 bolts, nuts and washers at the front and rear.

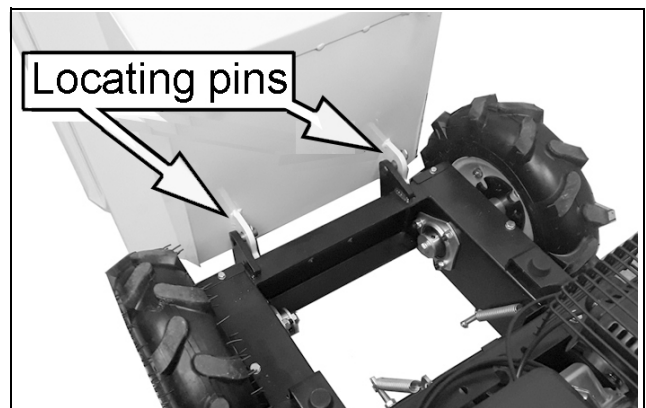
- Use the 25 mm bolts at the front and the 45 mm bolts at the rear.



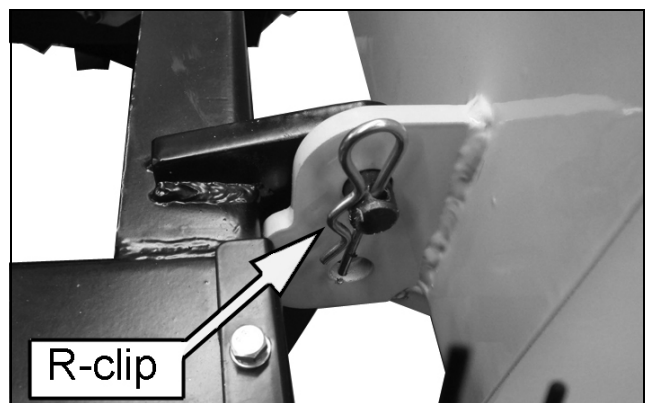
MOUNTING THE LOAD BOX

1. Position the load box on the locating pins as shown.

NOTE: The load box is large and heavy so we recommend the help of an assistant.



2. Secure at the front with 2 x R-clips.



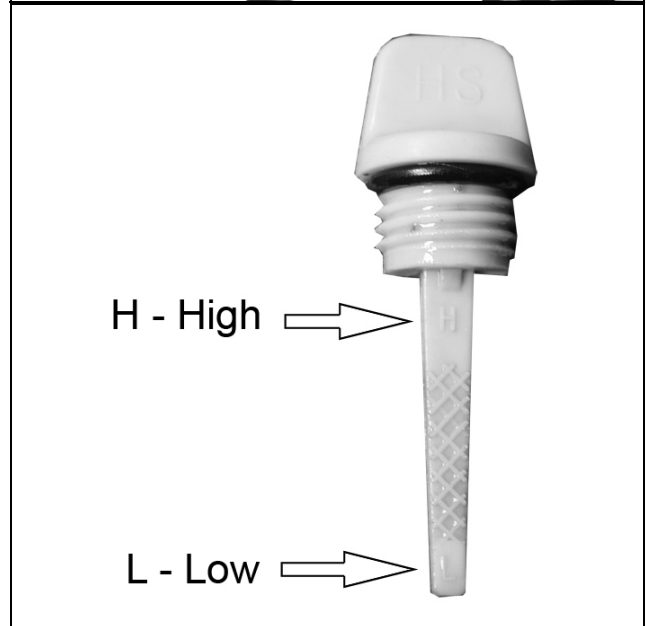
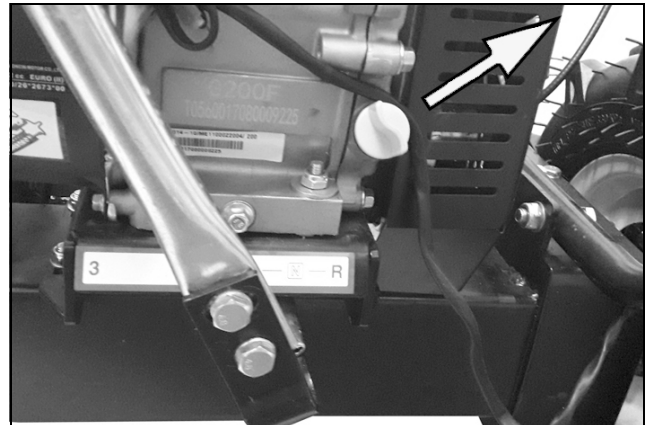
BEFORE USE

IMPORTANT: The truck is shipped without oil in the engine and must be filled to the correct level before use, see below.

ENGINE OIL

1. Turn the oil filler cap anticlockwise and remove it from the engine. Wipe the integral dipstick with a clean cloth.
2. Screw the oil filler cap back into place and then remove it again.
3. If the oil reads low on the dipstick, add oil to the oil reservoir (Max 0.6L).
 - We recommend the use of SAE15W-40 oil.
 - Do not overfill.
4. Replace the oil filler cap.

NOTE: Running the engine with insufficient oil will cause engine damage.



FILLING WITH FUEL



CAUTION: NEVER FILL ABOVE THE SHOULDER OF THE FUEL STRAINER IN THE TOP OF THE TANK.

- Use regular unleaded petrol.

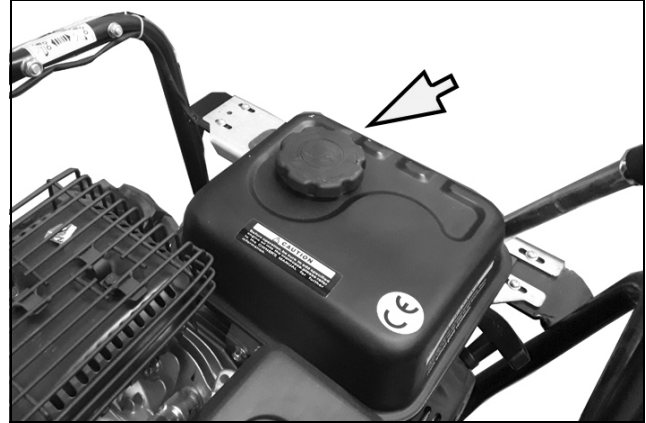


WARNING: NEVER REFILL THE FUEL TANK WHEN THE ENGINE IS HOT....ALWAYS WAIT UNTIL IT HAS COOLED DOWN SUFFICIENTLY.

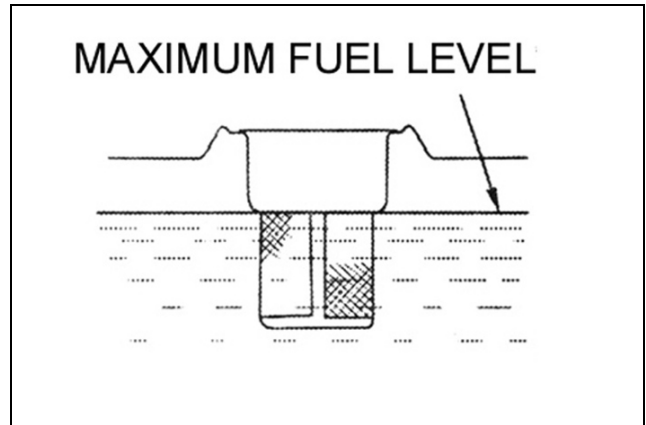
- Refuel in a well-ventilated area, away from any sources of ignition.
- If the engine has been running, allow it to cool before refuelling.
- Do not leave fuel within the reach of children.
- Refuel carefully to avoid spilling fuel.

1. Remove the fuel tank cap.
2. Pour unleaded petrol through the fuel strainer and into the fuel tank using a funnel.

- Do not fill above the fuel strainer shoulder.
- Use unleaded petrol with a pump octane rating of 86 or higher.



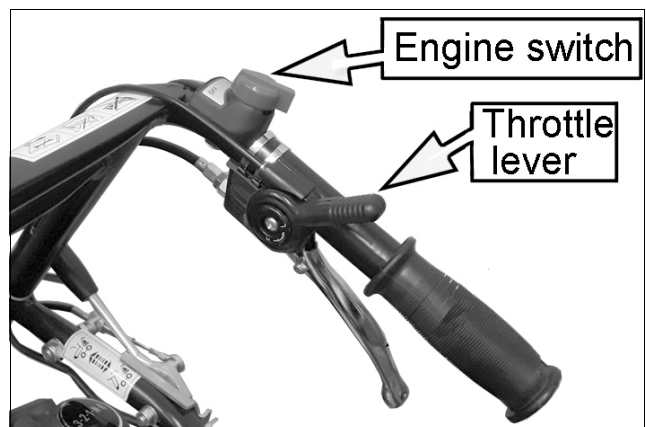
3. Replace the fuel filler cap securely.
4. The fuel strainer should be checked periodically and any accumulated contaminants should be removed.
5. Wipe away any spillage thoroughly, replace the cap on the fuel container and move the container a safe distance away.



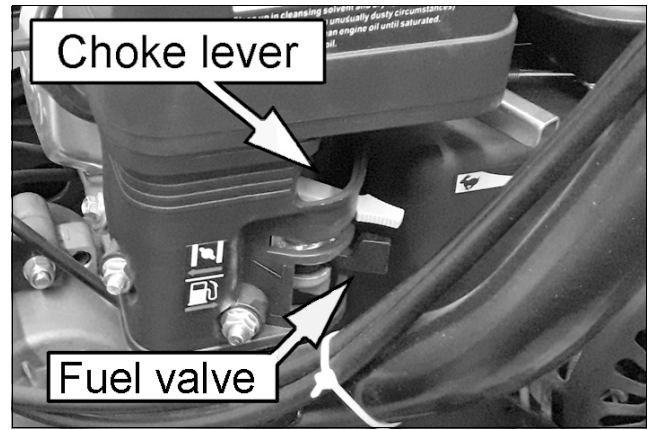
STARTING

STARTING A COLD ENGINE

1. Before starting the engine for the first time always check the oil level as shown on page 10.
2. Turn the engine switch on.
3. Set the throttle lever on the handlebar to the half-way position.



4. Move the choke lever on the engine to the full choke position.
5. Turn the fuel valve lever to the on position.
6. Ensure the engine switch is in the on position.



7. Pull the handle on the recoil starter slowly several times to help fuel to flow into the engine's carburettor. Hold the handle firmly and pull the cord out a short distance until resistance is felt. Now pull the handle firmly and briskly and allow the cord to return gently.



8. Do not let the cord snap back. If necessary, pull several times until the engine starts.
9. Allow the engine to run for several seconds to warm up, then gradually move the choke lever to the OPEN position.

STARTING A WARM ENGINE

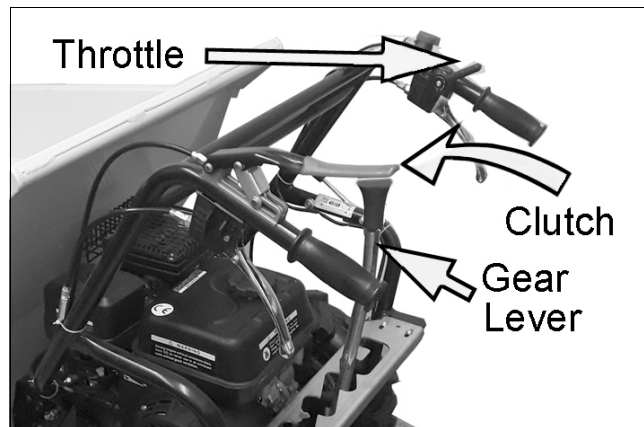
Restarting an engine that is already warm from previous running does not normally require the use of the choke.

1. Ensure the engine switch is on.
2. Set the throttle lever on the handlebar at the half-way position.
3. Hold the handle on the recoil starter firmly and pull out a short distance until you feel some resistance. Then pull the handle smoothly and briskly and allow to return gently. Do not let the handle snap back. If necessary, pull again until the engine starts.

OPERATING

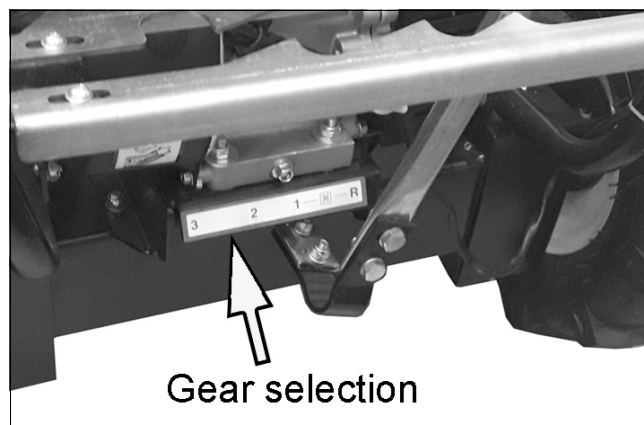
CONTROLLING THE SPEED AND DIRECTION

1. After the engine warms up, move the throttle lever to set the engine speed.
2. Engage the required gear and slowly press down the clutch control lever to engage the drive.
3. If the gear does not engage straight away, slowly release the clutch lever and try again.
 - The truck will now start moving.
 - When the clutch control lever is released, drive will be disengaged and the truck will stop automatically.



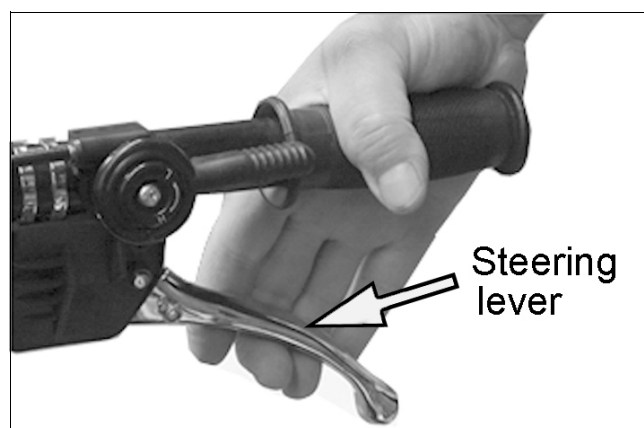
The gear selected is shown on the label at the bottom of the truck.

- 3 x forward, neutral and reverse



4. The truck has the steering levers on the handlebars. To turn right or left, simply squeeze the corresponding right or left steering lever.

NOTE: The sensitivity of the steering increases in proportion to the speed of the truck and weight of the truck. With the load box empty, a light pressure on the lever is all that is needed to turn. When the truck is loaded, more pressure is required.



The truck has a maximum load capacity of 300kg. However, it is advisable to assess the weight of the load and adjust it according to the ground on which

the truck will be used. Also, bear in mind the weight of the truck added to that of the load.

Take extra care working over areas of rough ground use a low gear.

Avoid sharp turns and frequent changes of direction, in particularly on rough, hard terrain with sharp, uneven points with a high degree of friction.

Take extra care when working in adverse weather conditions (ice, heavy rain and snow) or on types of ground that could make the truck unstable.

If the truck is stopped on a steep slope, place a chock against one or more of the wheels to prevent unexpected movement.

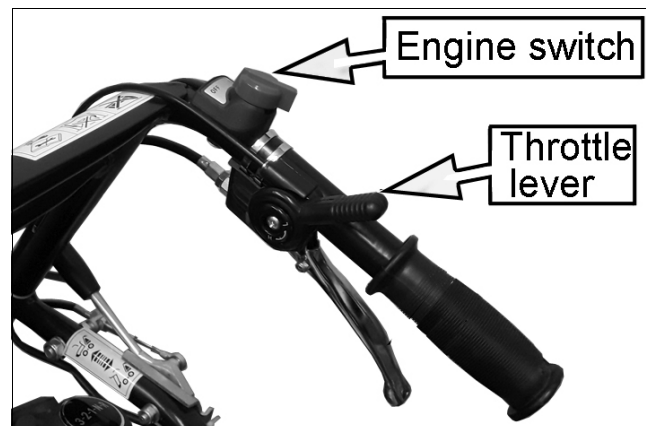
IDLE SPEED

Set the throttle lever to its SLOW position to reduce stress on the engine when no work is being done.

- Lowering the engine speed will reduce fuel consumption and help extend the life of the engine.

STOPPING THE ENGINE

1. Move the throttle lever to the slow position.
2. Let the engine idle for one to two minutes.
3. Turn the engine switch to the off position.
4. Turn the fuel valve lever to the off position.



Do not move the choke to stop the engine.

To stop the engine in an emergency simply turn the engine switch to the off position. Under normal conditions use the above procedure.

MAINTENANCE

Proper maintenance and lubrication will help keep the truck in perfect working condition.

CARE AND PREVENTIVE MAINTENANCE

Turn off the engine and let it to cool before touching engine components.

1. Inspect the general condition of the truck. Check for loose screws, misalignment or binding of moving parts, cracked or broken parts and any other condition that may affect its safe operation.
2. Remove all debris that may have accumulated in the truck. Clean after each use if working in a dirty environment. Use a premium quality lightweight machine oil to lubricate all moving parts.
3. Never use a pressure washer to clean your truck. Water can penetrate areas of the machine and its transmission parts and cause damage to spindles, gears, bearings, or parts of the engine. The use of pressure washers will result in shortened life and reduce serviceability.

LUBRICATION

The gearbox is pre-lubricated and sealed for life at the factory.

With the engine stopped, remove the engine oil filler plug and check (with the machine standing level) that the oil is between the upper and lower marks on the dipstick as shown on page 10. Top up if required.

If changing the engine oil, it should be drained when the engine is hot and oil will flow more freely. When it is fully drained, replace the drain cap and fill up with new oil.

TYRE PRESSURES

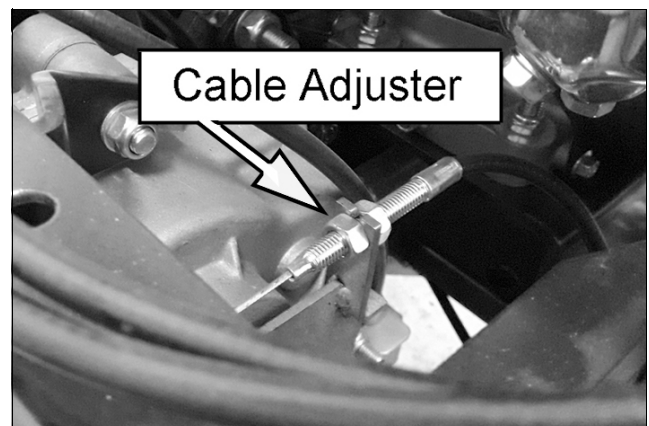
Check the tyre pressures periodically to make sure they are properly inflated.

- The recommended pressure is 30psi for all tyres. Do not over-inflate.

CLUTCH ADJUSTMENT

As the clutch wears with long term use the lever could develop a wider operating range and become harder to use. This means that it will be necessary to adjust the cable.

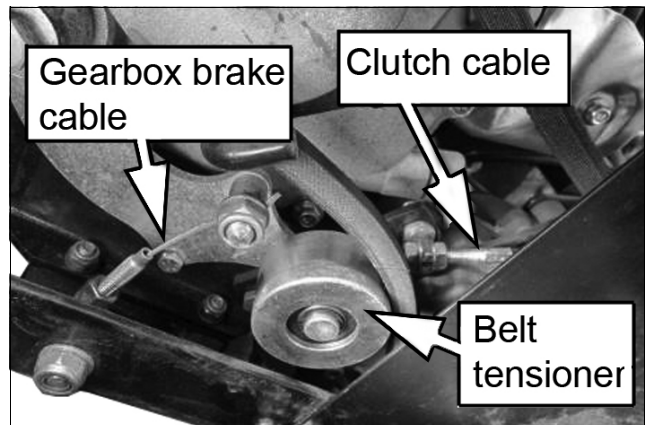
Set the clutch lever to its original position using the cable adjuster and the locking nut.



DRIVE BELT ADJUSTMENT

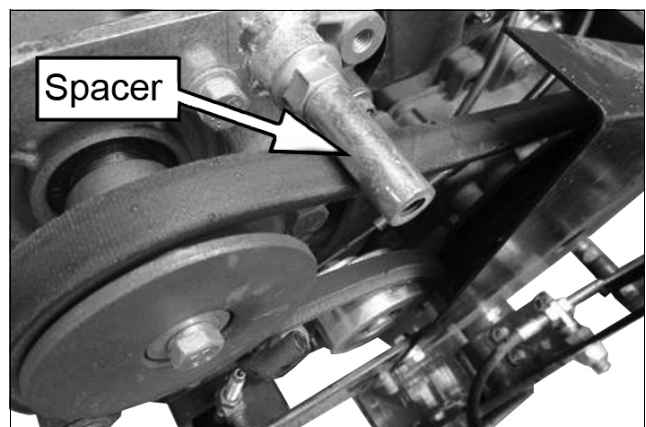
The drive belt tension can be adjusted by means of the cable pulling on the cam shown.

This in turn also operates the cable to disengage the gearbox brake.



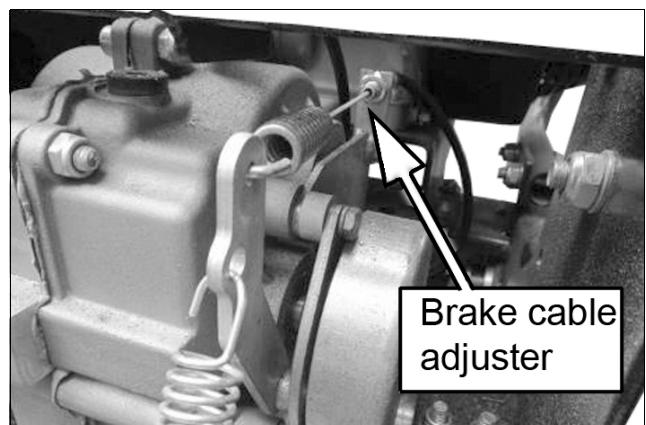
The drive belt can be seen after removing the belt pulley cover. When removing the belt pulley cover, take care not to unscrew the spacer shown from the engine. It must remain fitted to the engine when tensioning the belt.

The spacer prevents belt chatter once the belt has been adjusted.



BRAKE CABLE ADJUSTMENT

When the drive belt tensioner is adjusted it can alter the effectiveness of the brake which could allow the truck to move forward when starting.

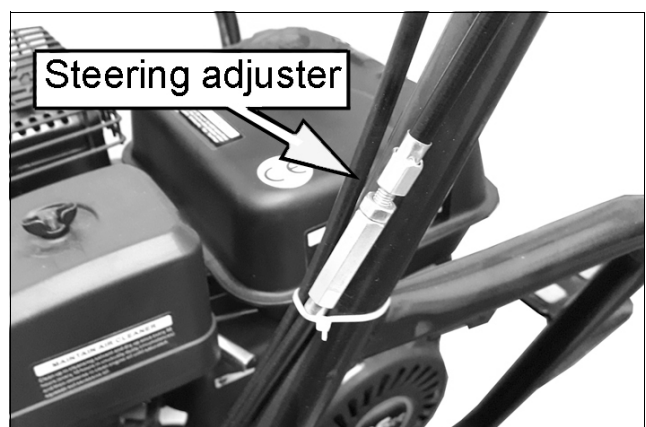


ADJUSTING THE STEERING

If you have difficulty steering the truck you will need to adjust the steering levers with the adjusters provided.

Slacken off the locknut and unscrew the adjusters to eliminate the play in the cable which can occur after initial use and normal wear.

Take care not to unscrew the adjusters too far or this will result in loss of traction. Tighten the locknut when you are finished.



LONG TERM STORAGE

If you do not expect to use the truck for some time then the following tasks should be undertaken before storing.

1. Empty the fuel tank completely by draining the fuel via the carburettor. Place a container below the carburettor and use a funnel to avoid spillage. Remove the carburettor drain bolt and sediment cup, then move the fuel valve to the ON position. After all fuel has drained, re-fit the drain bolt and sediment cup.
2. Start the engine and allow to run until it stops for lack of fuel. Ensure the fuel cap is secure.
3. Remove the spark plug and pour several drops of oil into the cylinder.
4. Crank the engine slowly using the recoil starter in order to distribute oil around the cylinder and piston, then replace the spark plug.
5. Carefully clean all parts, ensuring a film of oil covers any bare metal parts. Use a brush to clean the cooling fins. Oil the linkage at the carburettor.
6. Store in a dry environment.

SERVICE AND REPAIRS

In the event of damage or broken components, replacements are available from Clarke Parts & Service. The engine should be serviced by a qualified technician. Please contact your CLARKE dealer for technical support.

FAULT FINDING

In the event that you find difficulty in starting or there is lack of power, the problem probably lies with either fuel or ignition. The checks on the following page will help to diagnose the problem. Should these checks not solve the problem consult your CLARKE dealer.

Problem	Cause	Solution
Engine fails to start	Spark plug lead is loose or disconnected	Check that plug lead is secure.
	Out of fuel or stale fuel.	Ensure the fuel tank has sufficient clean fuel.
	Choke lever not in the correct (open) position	Set the choke to the cold starting position.
	Blocked fuel line	Clean out fuel line
	The spark plug may be dirty or gap is excessive.	Clean it and have it tested.

	Carburetor flooding	Wait a few minutes before attempting to start with the choke in the normal setting.
Engine runs erratically	Spark plug lead is loose	Secure plug lead
	Engine running on choke starting setting	Move choke lever to OFF
	Blocked fuel line or stale fuel	Drain fuel tank & fill with fresh fuel.
	Breather vent blocked	Clear vent
	Water or dirt in fuel system	Drain fuel tank & refill with fresh fuel.
	Dirty air cleaner	Remove and clean air cleaner.
	Improper carburetor adjustment	Refer to separate engine manual
	Fuel cap breather is clogged.	Remove cap then replace loosely. Clean if required.
Engine overheats	Engine oil level low	Fill crankcase with correct oil
	Dirty air cleaner	Remove and clean air cleaner
	Carburetor not adjusted correctly	Refer to separate engine manual
	Airflow restricted	Remove housing & clean
Machine does not move when engine is running	Gear not correctly selected	Ensure gear lever is not in between two different gears
	Drive belt is slack Clutch cable too loose	Tighten drive belt. Adjust the cable as on p 16.
Machine jumps out of gear	Loose drive belt between engine and gearbox	Tighten drive belt. Adjust the cable as on p 16.

DECLARATION OF CONFORMITY

UK
CA

Clarke[®]
INTERNATIONAL

Hemnal Street, Epping, Essex CM16 4LG

DECLARATION OF CONFORMITY

This is an important document and should be retained.

Product Description: 300kg Petrol Dumper Truck
Model number(s): CDT300
Serial / batch Number: N/A
Date of Issue: 04/01/2023
(Noise Conformity)
Notified Body: TUV SUD Industria Service GmbH
80688 München
Westendstraße 199
Germany

Technical Documentation Holder: Alan Pond
Clarke International Ltd
Hemnal Street
Epping
Essex
CM16 4LG
UK

Conformity Assessment Procedure: To 2000/14/EC Annex V
Manufacturer: Clarke international Ltd
Noise Related Value: 4.8 kW
Measured Sound Power Level: 96 dB
Guaranteed Sound Power Level: 98 dB

CDT300 UKCA Clarke DOC 010423

Page 1 of 2

UK
CA

Clarke[®]
INTERNATIONAL

Hemnal Street, Epping, Essex CM16 4LG

DECLARATION OF CONFORMITY

This is an important document and should be retained.

We hereby declare that this product(s) complies with the following statutory requirement(s):
*Supply of Machinery (Safety) Regulations 2008
Noise Emission in the Environment by Equipment for Use Outdoors Regulations 2001
The Non Road Mobile Machinery Regulations 2020*

The following standards have been applied to the product(s):
EN ISO 12100:2010, EN 1679-1:1998+A1:2011, EN ISO 3744:1995, ISO 6395:1988.

The technical documentation required to demonstrate that the product(s) meet(s) the requirement(s) of the aforementioned legislation has been compiled and is available for inspection by the relevant enforcement authorities.

The UKCA mark was first applied in: 2023

Signed:



J.A. Clarke
Director

CDT300 UKCA Clarke DOC 010423

Page 2 of 2

CE

Clarke[®]
INTERNATIONAL

Fitzwilliam Hall, Fitzwilliam Place, Dublin 2

DECLARATION OF CONFORMITY

This is an important document and should be retained.

Product Description: 300kg Petrol Dumper Truck
Model number(s): CDT300
Serial / batch Number: N/A
Date of Issue: 04/01/2023
(Noise Conformity)
Notified Body: TUV SUD Industria Service GmbH
80688 München
Westendstraße 199
Germany

Technical Documentation Holder: Alan Pond
Clarke International Ltd
Hemnal Street
Epping
Essex
CM16 4LG
UK

Conformity Assessment Procedure: To 2000/14/EC Annex V
Manufacturer: Clarke international Ltd
Noise Related Value: 4.8 kW
Measured Sound Power Level: 96 dB
Guaranteed Sound Power Level: 98 dB

CDT300 CE Clarke DOC 010423

Page 1 of 2

CE

Clarke[®]
INTERNATIONAL

Fitzwilliam Hall, Fitzwilliam Place, Dublin 2

DECLARATION OF CONFORMITY

This is an important document and should be retained.

We hereby declare that this product(s) complies with the following directive(s):
*2006/42/EC Machinery Directive
2000/14/EC Outdoor Noise Directive
2016/1628/EU Regulation on Requirements Relating to Gaseous & Particulate Pollutant Emission Limits for Internal Combustion Engines for Non Road Mobile Machinery*

The following standards have been applied to the product(s):
EN ISO 12100:2010, EN 1679-1:1998 + A1:2011, EN ISO 3744:1995, ISO 6395:1988.

The technical documentation required to demonstrate that the product(s) meet(s) the requirement(s) of the aforementioned directive(s) has been compiled and is available for inspection by the relevant enforcement authorities.

The CE mark was first applied in: 2019

Signed:



J.A. Clarke
Director

CDT300 CE Clarke DOC 010423

Page 2 of 2

A SELECTION FROM THE VAST RANGE OF

Clarke®

QUALITY PRODUCTS



AIR COMPRESSORS
From DIY to industrial, Plus air tools, spray guns and accessories.

GENERATORS
Prime duty or emergency standby for business, home and leisure.

POWER WASHERS
Hot and cold, electric and engine driven - we have what you need

WELDERS
Mig, Arc, Tig and Spot. From DIY to auto/industrial.

METALWORKING
Drills, grinders and saws for DIY and professional use.

WOODWORKING
Saws, sanders, lathes, mortisers and dust extraction.

HYDRAULICS
Cranes, body repair kits, transmission jacks for all types of workshop use.

WATER PUMPS
Submersible, electric and engine driven for DIY, agriculture and industry.

POWERTOOLS
Angle grinders, cordless drill sets, saws and sanders.

STARTERS/CHARGERS
All sizes for car and commercial use.



PARTS & SERVICE: 0208 988 7400

Parts Enquiries
Parts@clarkeinternational.com

Servicing & Technical Enquiries
Service@clarkeinternational.com

SALES: UK 01992 565333 or Export 00 44 (0)1992 565335

Clarke® INTERNATIONAL Hemnall Street, Epping, Essex CM16 4LG
www.clarkeinternational.com